

Limit switches

Adjustable switch LT ... LTL-APR

- SPDT bi-stable reed switch
- IP65 polycarbonate housing
- Contact rating: 0.5 A 220 VAC 60 VA
- Hysteresis: ± 6 mm
- Liquid temperature: -20°C ... 200°C
- Ambient temperature: -10°C ... 70°C
- Suitable for hazardous area, considered as "Simple apparatus"



Adjustable switch LT ... LTL-AAR

- SPDT bi-stable reed switch
- Aluminium housing & thermal separator for high temperature
- Contact rating: 0.5 A 220 VAC 60 VA
- Hysteresis: ± 6 mm
- Liquid temperature: -20°C ... 400°C
- Ambient temperature: -10°C ... 70°C
- Suitable for hazardous area, considered as "Simple apparatus"



Adjustable switch LT ... LTL-AMM

- SPDT bi-stable micro-switch
- IP65 coated aluminium housing
- Contact rating: 3 A 220 VAC
- Hysteresis: ± 6 mm
- Liquid temperature: -20°C ... 200°C
- Ambient temperature: -25°C ... 80°C
- Mechanical life: 20×10^6 operations
- Suitable for hazardous area, considered as "Simple apparatus"



Adjustable switch LT ... LTL-AMD

NAMUR (EN 60947-5-6) 3.5 mm slot type inductive detector activated by vane, mounted in an aluminium housing.

- Power supply: 8 VDC
- Hysteresis: ± 6 mm
- Liquid temperature: -20°C ... 200°C
- Ambient temperature: -25°C ... $+70^{\circ}\text{C}$
- ATEX certification Ex ia IIC T6



Control relay (on request)

NAMUR (EN 60947-5-6) for 1 or 2 inductive detectors.

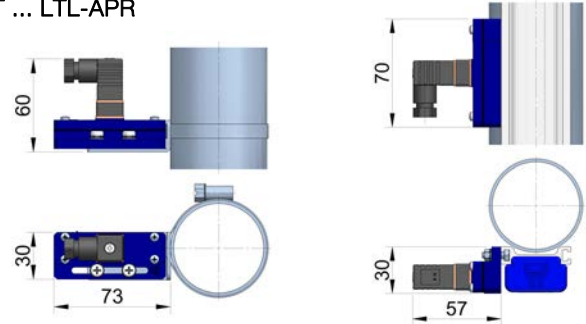
- Power supply: 24 ... 253 VAC 50-60 Hz / 24 ... 300 VDC
- Input: NAMUR Ex ia IIC
- Output: 1 or 2 relay contacts
- Output rating: 2 A 250 VAC 100 VA / 1 A 24 VDC
- Ambient temperature: -25°C ... $+70^{\circ}\text{C}$

Ex d IIC T6 version

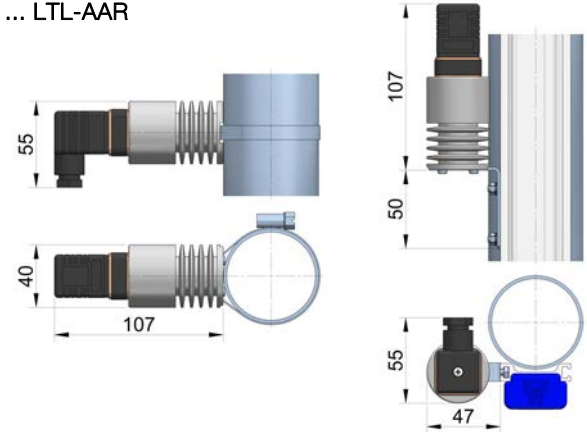
All switches can be supplied with Ex d IIC T6 Explosion Proof Enclosure on request, ATEX certified



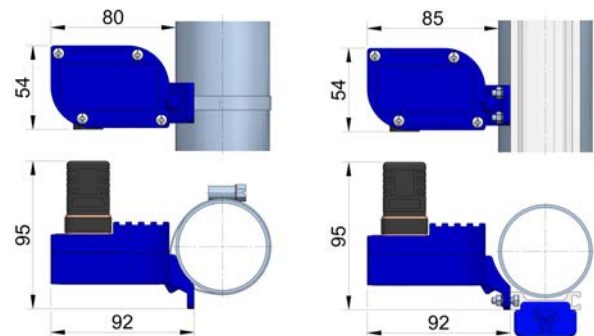
LT ... LTL-APR



LT ... LTL-AAR



LT ... LTL-AMM / AMD



ATEX version Ex d IIC T6

